

Sunsolar-1

Solar powered LED 2M post top area light kit



Description

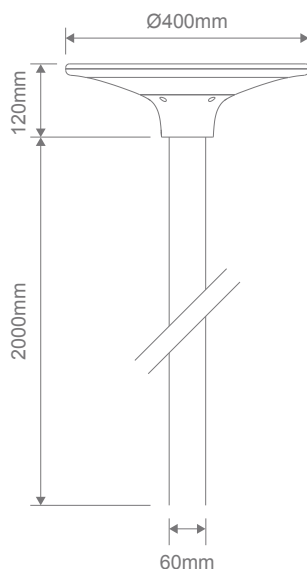
SUNSOLAR-1 Series is a solar powered LED post top area light. Ideal for areas where it is too difficult or expensive to run mains cables, such as farms, parklands, and large backyard areas. Suitable for 60mm posts, it is wattage and colour temperature switchable between 10W or 20W and 3000K Warm White or 4000K Neutral White. Constructed from ABS polymer and a polycarbonate opal diffuser, which is V0 fireproof, Anti-UV and has an IP65 rating, ideal for coastal areas. The SUNSOLAR-1 automatically turns on at dusk and stays on until dawn. SUNSOLAR-1-KIT comes complete with post top area light head and 2m x 60mm aluminium post in Black. Other length posts available upon request.

Specification Features

Power (W):	10W/20W (Switchable)	
IP rating (IP):	IP65	
LED type:	SMD	
CCT:	3000K - 4000K (Switchable)	
CRI:	80≥	
Beam angle (°):	360°	
Dimmable:	No	
Lifespan (hrs):	50,000hrs	
Battery:	32700/6.4Vx6000MAH/38.4Wh	
Charging Time:	4-6hrs	
Lighting Time:	>32h	
Material:	ABS and PC Opal Diffuser	
Lumens (lm):	10W	20W
Warm White 3000K	900lm	1950lm
Neutral White 4000K	1050lm	2100lm



Diagrams / Additional



Item No.

Variant

CCT

SUNSOLAR-1-KIT

BLK

10304

DUO